

# 2011 Chevrolet Tahoe Police and Special Service Packages

---

<b>Keys, Doors and Windows</b> ...	1-1
Keys and Locks .....	1-1
<b>Seats and Restraints</b> .....	2-1
Airbag System .....	2-1
<b>Instruments and Controls</b> ....	4-1
Warning Lights, Gauges, and Indicators .....	4-2
Information Displays .....	4-3
<b>Lighting</b> .....	5-1
Exterior Lighting .....	5-1

<b>Driving and Operating</b> .....	8-1
Driving Information .....	8-1
Starting and Operating .....	8-5
Ride Control Systems .....	8-5
Towing .....	8-6
<b>Vehicle Care</b> .....	9-1
Wheels and Tires .....	9-1
Appearance Care .....	9-2
<b>Technical Data</b> .....	11-1
Vehicle Data .....	11-2

<b>Special Equipment</b>	
<b>Options</b> .....	15-1
SEO Standard Options .....	15-2
SEO Available Options .....	15-11
<b>Index</b> .....	i-1

## ii Introduction

---



The names, logos, emblems, slogans, vehicle model names, and vehicle body designs appearing in this manual including, but not limited to, GM, the GM logo, CHEVROLET, the CHEVROLET Emblem, and TAHOE are trademarks and/or service marks of General Motors LLC, its subsidiaries, affiliates, or licensors.

This manual describes features that may or may not be on your specific vehicle either because they are options that you did not purchase or due to changes subsequent to the printing of this owner manual.

Please refer to the purchase documentation relating to your specific vehicle to confirm each of the features found on your vehicle. For vehicles first sold in Canada, substitute the name "General Motors of Canada Limited" for Chevrolet Motor Division wherever it appears in this manual.

The Tahoe Police Package (SEO PPV) is designed for police work up to and including high-speed emergency vehicle operations.

The Tahoe Special Service Package (SEO 5W4) is neither designed nor intended for use in high-speed emergency vehicle operations.

## Canadian Vehicle Owners

### Propriétaires Canadiens

A French language copy of this manual can be obtained from your dealer or from:

On peut obtenir un exemplaire de ce guide en français auprès du concessionnaire ou à l'adresse suivante:

Helm, Incorporated  
P.O. Box 07130  
Detroit, MI 48207

1-800-551-4123  
Numéro de poste 6438 de langue  
française  
[www.helminc.com](http://www.helminc.com)

## **Using this Supplement**

This supplement contains information specific to the unique components of the vehicle. It does not explain everything you need to know about the vehicle. Read this supplement along with the owner manual to learn about the vehicle's features and controls.

### **Index**

A good place to look for what you need is the Index in back of this supplement. It is an alphabetical list of what is in the supplement, and the page number where you will find it.



## Keys, Doors and Windows

### Keys and Locks

Specific Cylinder Unit for Single  
Key - Random Code  
System ..... 1-1

### Keys and Locks

#### Specific Cylinder Unit for Single Key - Random Code System

If your vehicles are equipped with one of these options, the entire fleet of vehicle locks can be operated with one key.

- SEO 6E2-Specific Fleet Key Code
- SEO 6E8-Specific Fleet Key Code

Your vehicle will be equipped with a standard production random key code if one of the optional fleet codes was not ordered.

For specific key code information, contact your dealer.

Your vehicles will be equipped with a key cylinder in the ignition lock and the driver door only. Remote keyless entry (RKE) is a standard feature and operates all other doors and the rear liftgate. Six additional RKE transmitters may have been ordered with your vehicle. See your dealer for additional information regarding availability of more RKE units for your vehicle.

The RKE transmitter for your police vehicle has the vehicle locator/panic alarm button disabled. The horn will not sound and the exterior lights will not flash when the button is pressed.

## 1-2 Keys, Doors and Windows

---

### **Remote Keyless Entry Transmitter Programming - SEO AMF - Fleet Package of 6 Unprogrammed Remote Units**

Do not operate or program the transmitters in the vicinity of other vehicles that are in the keyless entry program mode. This prevents the programming of the transmitters to the incorrect vehicle.

Up to eight transmitters may be programmed to the RKE on Police and Special Service Package equipped vehicles. The first four transmitters are given the position of #1-#4 in the RKE. Any further transmitters will also be assigned to position #4.

Verify that the proper transmitters are learned to the vehicle. Do not learn a transmitter with a remote start button to a vehicle that does not have remote start.

For the proper procedure to be used for learning transmitters, see your dealer.

# Seats and Restraints

## Airbag System

Questions and Answers About  
Airbags and Specialty Law  
Enforcement Vehicles . . . . . 2-1  
Notices for Customer Installed  
Equipment . . . . . 2-3  
Airbag Deployment  
Diagrams . . . . . 2-4

## Airbag System

### Questions and Answers About Airbags and Specialty Law Enforcement Vehicles

**Q: Can equipment such as radar devices, video cameras, and radio trees be mounted in a specialty vehicle equipped with a right front passenger frontal airbag?**

**A:** Yes, but care must be taken to properly mount the equipment outside of the airbag “deployment zone.”

**Q: What is the airbag “deployment zone”?**

**A:** The term “deployment zone” describes the space an airbag takes up when fully inflated. Airbags need room to work properly, and anything in the “deployment zone” — such as improperly mounted equipment — can greatly affect the performance of the airbag.

## 2-2 Seats and Restraints

---

### **WARNING**

Airbags inflate with great force, faster than the blink of an eye. No objects, such as shotguns, should be placed over or near the airbag covers. Equipment mounted too close to an inflating airbag could break and become a dangerous projectile in a crash, causing injury to the vehicle's occupants. Also, an object too close to an inflating airbag could prevent the airbag from operating properly. If this ever happens, the airbag would not be able to protect occupants the way it was designed to. To help prevent injury and to allow the airbag to perform as it was designed, do not mount equipment inside the airbag deployment zone.

**Q: How can I identify the airbag “deployment zone” in my vehicle?**

**A:** See *Airbag Deployment Diagrams* on page 2-4 for more information. The diagrams provide the approximate dimensions of the “deployment zones” for your specialty vehicle. Before doing any service work, including the installation of any equipment, consult the appropriate service manual.

**Q: Is it possible to shield equipment so it does not interfere with airbag deployment?**

**A:** While shielding may protect certain equipment from being damaged or dislodged, it may also negatively affect how an airbag inflates. Therefore, we cannot recommend the placement of any equipment in the deployment zone, even when shielding.

**Q: Can the installation of push bumpers on the front end of the vehicle affect the deployment of the airbag?**

**A:** It is not likely that installing push bumpers will affect sensing for the airbag as long as the vehicle structure itself is not modified. GM is not aware of any adverse defects from the many push bumpers that have been installed on current model GM police vehicles with airbags.

**Q: Is there anything I might add to the front or sides of the vehicle that could keep the airbags from working properly?**

**A:** Yes. If you add things that change your vehicle's frame, bumper system, height, front end or side sheet metal, they may keep the airbag system from working properly. Also, the airbag system may not work



properly if you relocate any of the airbag sensors. If you have any questions about this, you should contact Customer Assistance before you modify your vehicle. The phone numbers and addresses for Customer Assistance are in Step Two of the Customer Satisfaction Procedures in the owner manual. See “Customer Satisfaction Procedure” in the owner manual Index.

The service manual has information about the location of the airbag sensors, sensing and diagnostic module, and airbag wiring. See “Service Publications Ordering Information” in the owner manual.

## Notices for Customer Installed Equipment

Read the following notices before installing equipment on your specialty vehicle.

**Notice:** GM-approved service procedures must be followed to remove and reinstall the instrument panel to the pad in order to ensure proper airbag deployment.

**Notice:** Do not mount equipment on the passenger side of the instrument panel top pad deployment zone. Equipment should not be mounted on or around the passenger airbag opening because of a deploying airbag. To allow the airbag to perform as it was designed, do not mount equipment inside the airbag deployment zone.

**Notice:** The police vehicle has roof-rail airbags. Do not mount a security barrier such that the

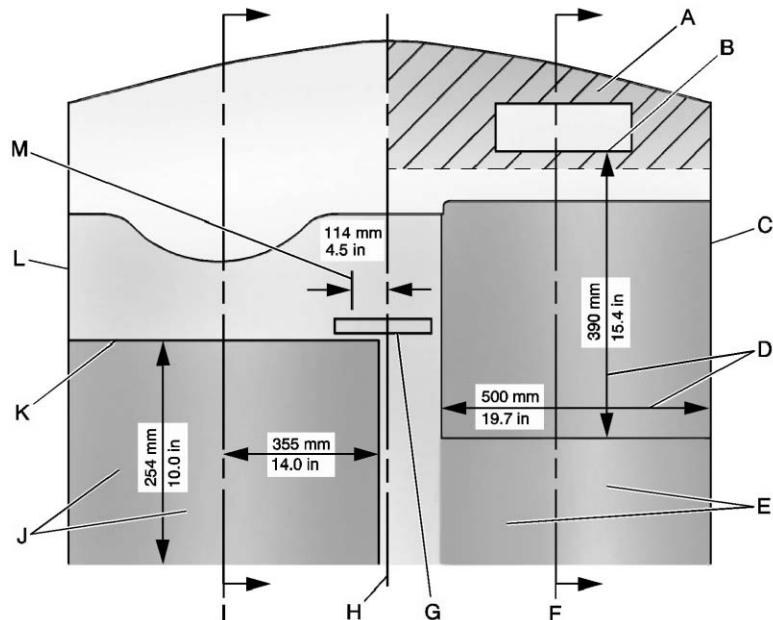
ends of the barrier or brackets are within the roof-rail deployment zones.

**Notice:** The police vehicle has roof-rail airbags and a rollover sensor. The rollover sensor is mounted on the centerline of the vehicle between the driver and right front passenger positions. If the vehicle has bucket seats, the rollover sensor will be exposed. Do not mount equipment within 25 mm (1 in) of the rollover sensor. This may affect the performance of the airbag system. To allow the airbags to perform as they are designed, do not mount equipment near this area.

**Notice:** Avoid installing wiring for roof-rail emergency lighting or radio antennas that may restrict the proper deployment of the roof-rail airbags.

## 2-4 Seats and Restraints

### Airbag Deployment Diagrams

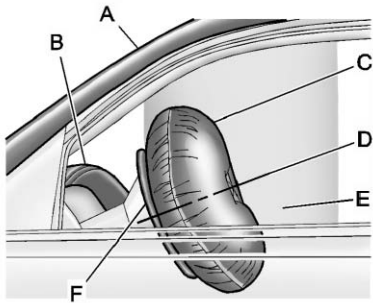


### Top View of Instrument Panel and Approximate Deployment Area of the Airbag Zone

- A. Passenger Side Instrument Panel Top Surface Zone
- B. Passenger Side Airbag Module Trim Panel — Rear Edge
- C. Passenger Side Door
- D. Approximate Dimensions of Inflated Airbag
- E. Passenger Side Airbag Deployment Zone
- F. Passenger Centerline
- G. Inside Rearview Mirror
- H. Vehicle Centerline
- I. Driver Centerline
- J. Driver Side Airbag Deployment Zone

- K. Front of Steering Wheel
- L. Driver Side Door
- M. Shift Selector Arc

See *Notices for Customer Installed Equipment on page 2-3* for more information.

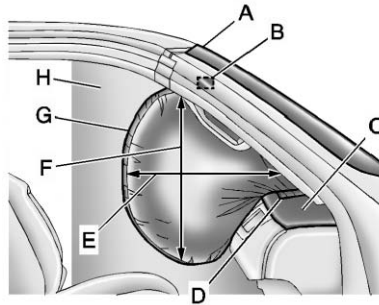


**Side View of Driver Side Airbag Deployment Zone**

- A. Top Edge of Windshield
- B. Top of Instrument Panel
- C. Inflated Airbag — Steering Wheel

- D. Centerline of Steering Column at Mid-Tilt
- E. Driver Airbag Deployment Zone
- F. Front of Steering Wheel

See *Notices for Customer Installed Equipment on page 2-3* for more information.



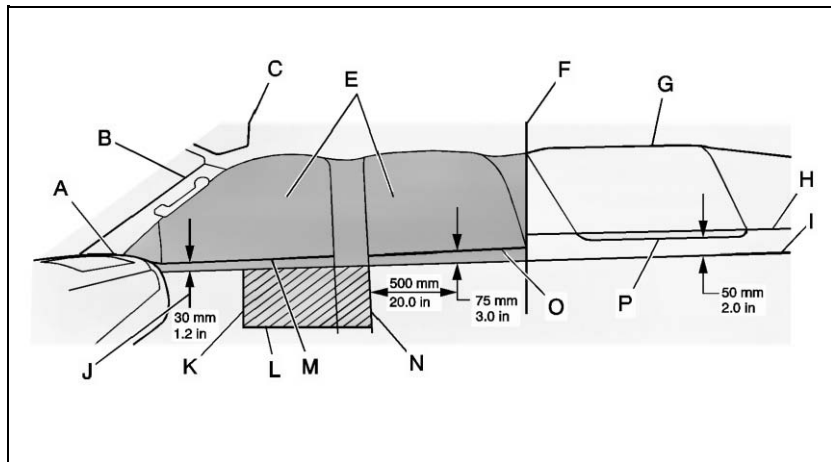
**Side View of Passenger Side Airbag Deployment Zone**

- A. Top Edge of Windshield
- B. Inside Rearview Mirror
- C. Instrument Panel Top Surface Zone

- D. Passenger Side Airbag Module Trim Panel — Rear Edge
- E. Inflated Airbag — Horizontal Dimension (Approximate 390 mm (15.4 in))
- F. Inflated Airbag — Vertical Dimension (Approximate 490 mm (19.3 in))
- G. Inflated Airbag — Instrument Panel
- H. Passenger Airbag Deployment Zone

See *Notices for Customer Installed Equipment on page 2-3* for more information.

## 2-6 Seats and Restraints



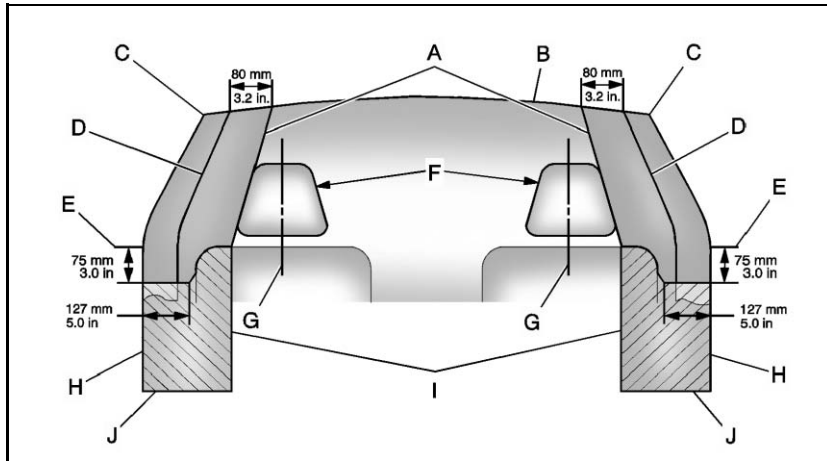
**Roof-rail and Seat-mounted Side Impact Airbag Deployment Zones - Passenger Side shown, Driver Side similar**

- A. Front of Deployment Zone at Front Upper Corner of Front Door Pad
- B. Windshield Pillar Trim with Grab Handle
- C. Visor

- D. Deployment Zone
- E. Top of Deployment Zone — Along Roof-rail at Edge of Headliner
- F. Back of Deployment Zone — At Rear Top Corner of Rear Door Pad

- G. Rear Quarter Window
- H. Top Edge of Interior Quarter Trim
- I. Bottom of Airbag Deployment Zone — Parallel to Outside Bottom Edge of Rear Quarter Glass
- J. Dimension at Mirror Patch from Top Edge of Front Door Pad
- K. Center of Door Trim Pull Handle
- L. Top Surface of Outboard Seat Cushion
- M. Top Edge of Front Door Pad
- N. Back Edge of Center Pillar Trim
- O. Top Edge of Rear Door Pad
- P. Bottom Outside Edge of Rear Quarter Window

See *Notices for Customer Installed Equipment* on page 2-3 for more information.



**Roof-rail and Seat-mounted Side Impact Airbag Driver and Passenger Deployment Zones - View from Rear Cargo Area**

- A. Roof-rail Airbag Deployment Zone
- B. Underside of Headliner
- C. Edge of Headliner

- D. Inner Center Pillar Trim
- E. Bottom of Door Windows
- F. Front Seat Headrest
- G. Seat Centerline

- H. Inner Door Pad
- I. Seat-mounted Side Impact Airbag deployment Zone — Front Seat
- J. Top Surface of Outboard Front Seat Cushion

See *Notices for Customer Installed Equipment* on page 2-3 for more information.



# Instruments and Controls

## Warning Lights, Gauges, and Indicators

- Instrument Cluster ..... 4-2
- Speedometer ..... 4-3
- Odometer ..... 4-3

## Information Displays

- Driver Information Center (DIC) ..... 4-3





The Tahoe Special Service Package instrument panel cluster is similar to the Tahoe Police Package instrument panel cluster, except that the maximum speed displayed is lower and additional indicators may be present. See “Instrument Cluster” in the Index of your owner manual for more information.

## Speedometer

Your speedometer lets you see your speed in both miles per hour (mph) and kilometers per hour (km/h).

The speedometer for the Tahoe Police Package (SEO PPV) displays a maximum vehicle speed of 225 km/h (140 mph). The speedometer for the Tahoe Special Service Package (SEO 5W4) displays a maximum vehicle speed of 193 km/h (120 mph). The Tahoe Special Service Package is not designed nor intended for use in high-speed emergency vehicle operations.

## Odometer

Your odometer shows how far your vehicle has been driven, either in miles (United States) or kilometers (Canada).

## Information Displays

### Driver Information Center (DIC)

The Tahoe Police Package and Special Service Packages do not have DIC buttons. You can turn off or acknowledge the available DIC messages by using the trip odometer reset stem located on the instrument panel cluster.

The DIC will display engine running hours.

See the owner manual for additional information on the DIC.



## Lighting

### Exterior Lighting

Exterior Lamp Controls ..... 5-1

## Exterior Lighting

### Exterior Lamp Controls

The following exterior lighting features apply to vehicles first sold in the United States.

The vehicle has Daytime Running Lamps (DRL) and an Automatic Headlamp System (AHS). The DRL and AHS can be turned to OFF with the headlamp switch when the transmission is in P (Park) and the engine is at idle. If the engine is not turned off, the DRL and AHS will remain OFF when the transmission is placed in gear. The vehicle may be driven with the lamps off for one ignition cycle.

The vehicle may have been built with SEO 9G8, DRL AND AHS DISABLE. This feature turns off DRL and AHS and requires manual control of the exterior lighting. See your dealer to restore the DRL and AHS to normal operation.

For vehicles first sold in Canada, the DRL and AHS can be turned off if the transmission is in P (Park). See the owner's manual for more information.

### Special Features

The following standard features are disabled in the Police Package and Special Service Package.

- Entry Lighting and Exit Lighting
- Remote Keyless Entry Feedback (Horn Beep) and (Lamps Flash)

Automatic Door Locking is standard. If you need it disabled, see your dealer.



# Driving and Operating

## Driving Information

Vehicle Load Limits ..... 8-1

## Starting and Operating

Fast Idle System ..... 8-5

## Ride Control Systems

StabiliTrak® System ..... 8-5

## Towing

Trailer Towing ..... 8-6


# Driving Information

## Vehicle Load Limits

The information in this section of the supplement is for those who intend to install additional equipment to the police vehicle after it has left the factory, and for those who will be driving and loading the vehicle with passengers and/or cargo.

Two labels on your vehicle show how much weight it was designed to carry, the Tire and Loading Information label and the Certification/Tire label. These labels are attached to your vehicle and give you the maximum load capacity, the Gross Vehicle Weight Rating (GVWR) and the Gross Axle Weight Rating (GAWR) for your vehicle. See "Loading Your Vehicle" in your owner manual Index for additional loading information.

The following guidelines can help you with proper loading and load distribution when installing additional equipment on the Tahoe Police Package.

 <b>WARNING</b>
<p>Do not load the vehicle any heavier than the Gross Vehicle Weight Rating (GVWR), or either the maximum front or rear Gross Axle Weight Rating (GAWR). If you do, parts on the vehicle can break, and it can change the way the vehicle handles. These could cause you to lose control and crash. Also, overloading can shorten the life of the vehicle.</p>

## 8-2 Driving and Operating

---

### Adding Equipment to Your Vehicle

Before adding accessories or equipment to your police vehicle, there are some things you need to know:

- The police vehicle's maximum capacity weight.
  - The weight of your police vehicle, including a full tank of fuel but without a driver and passengers.
- The weight of items you plan on adding to your police vehicle, like roof mounted light bar(s), push bumpers, security barrier(s), rear storage organizer, highway flares, fire extinguishers, weapons, ammunition, radios, and video equipment.
  - The weight and number of passengers you intend to carry in your vehicle.
  - The total weight of any additional cargo you intend to carry in your vehicle.

When planning your vehicle equipment installation remember not to exceed the Gross Vehicle Weight Rating (GVWR) or the Gross Axle Weight Rating (GAWR) of the front or rear axles. To keep the available load weight less than the vehicle capacity weight, you may need to limit the number of passengers you carry in your vehicle or change your choice of additional equipment.

### **Center of Gravity (CG)**

A vehicle's center of gravity is an imaginary location inside the vehicle and is a balance point for the vehicle mass as it moves down the road. The police vehicle's center of gravity, before you add a load and passengers, is approximately midway between the center of the axles, up from the ground to just below the front window, and between the driver and passenger.

Equipment location and weight on the vehicle's center of gravity is important to keep in mind when planning an installation. Heavy equipment should be positioned as low and as far forward in the rear load compartment as possible.

Try to mount the equipment below the bottom of the side windows. Refer to the Loading Zone chart and diagram to help with your installation plan.

A procedure to make the necessary measurements and formulas to calculate the vehicle longitudinal, lateral and vertical position of the center of gravity can be found in the GM Coachbuilders Manual. Equipment required to conduct the measurements for calculating the center of gravity are:

- Weight scales of sufficient capacity to measure the vehicle weight at each wheel.
- A post-type hoist or other means to safely elevate the front of the vehicle to at least an angle of 20 degrees above horizontal.

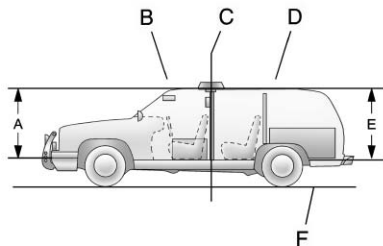
See your GM dealer to get more information about this coachbuilder procedure.

Keeping the center of gravity midway between the axles is also important to provide proper braking performance. About half the total vehicle weight on each axle is recommended.

Weigh your vehicle after the additional equipment has been installed to determine the actual weight of your vehicle. Weigh the vehicle with a full tank of fuel and without passengers. You may need to put a limit on how many people or other equipment you can carry inside your vehicle after the additional equipment has been installed.

## 8-4 Driving and Operating

### Loading Zones



- A. Front Floor to Roof Zone Area
- B. Front Roof Zone Area
- C. Back of Front Door
- D. Rear Roof Zone Area
- E. Rear Floor to Roof Zone Area
- F. Ground

Loading Zone Weight Chart			
Loading Zones	Front Axle Weight	Rear Axle Weight	Total
Roof	14 kg (30 lbs)	18 kg (41 lbs)	32 kg (71 lbs)
Floor to Roof	49 kg (108 lbs)	195 kg (429 lbs)	244 kg (537 lbs)
Total	63 kg (138 lbs )	213 kg (470 lbs)	276 kg (608 lbs)

Using heavier suspension components to get added durability might not change your weight ratings. Ask your dealer to help you load your vehicle the right way.



## Starting and Operating

### Fast Idle System

While parked with the engine idling for an extended period, turn off the following factory equipment if emergency lighting and communication equipment are operating:

- Air Conditioner
- Fan
- Rear Window Defogger
- Factory Audio System

See "Running the Vehicle While Parked" in the owner manual.

### Engine Idle Speed - Alternator Output

Normal idle speed for the engine is set for 600 rpm. To increase alternator output while the transmission remains in P (Park) or N (Neutral), and the electrical load on the alternator is large enough, the engine idle speed can rise to as high as 800 to 1000 rpm.

## Ride Control Systems

### StabiliTrak<sup>®</sup> System

The vehicle has a vehicle stability enhancement system called StabiliTrak. It is an advanced computer-controlled system that assists the driver with directional control of the vehicle in difficult driving conditions.

See the Tahoe/Suburban owner manual for more information.

### Towing

#### Trailer Towing

The Tahoe Police Package (SEO PPV) is not intended to tow a trailer.

The Tahoe Special Service Package (SEO 5W4) can be equipped for trailer towing. See "Trailer Towing" in the owner manual for more information.

## Vehicle Care

### Wheels and Tires

Tires .....	9-1
Tire Pressure Monitor System .....	9-2

### Appearance Care

Floor Mats .....	9-2
------------------	-----

## Wheels and Tires

### Tires

#### Tahoe Police and Special Service Packages

Refer to the Tire and Loading Information label, located on the driver B-pillar, for information regarding tire sizes, speed ratings, and recommended tire inflation pressures. See "Tire and Loading Information Label" under Vehicle Load Limits in the owner manual for more information. The Special Service Package is not designed nor intended for use in high-speed emergency vehicle operations.

### Wheels

Metal hub caps are standard with SEO PPV. These caps are bolted to the wheels and do not require removal when rotating or removing the wheels. Loosening or tightening the decorative wheel attachment nuts can be done with the hub caps in place.

### Tire Pressure Monitor System

The Tahoe Police and Special Service Packages may have a Tire Pressure Monitor System (TPMS). Sensors are mounted on each tire and wheel assembly. Only the Tahoe Police Package (SEO PPV) has a TPM sensor in the full-size spare tire and wheel assembly. The TPM system will not monitor or display the spare tire's air pressure until it is installed onto one of the four tire/wheel positions on your vehicle.

Once installed, the spare tire's sensor code must be matched its new tire/wheel position on your vehicle. See "Tire Pressure Monitor System" in your owner manual Index for information about the TPM system.

### Appearance Care

#### Floor Mats

 **WARNING**

If a floor mat is the wrong size or is not properly installed, it can interfere with the accelerator pedal and/or brake pedal. Interference with the pedals can cause unintended acceleration and/or increased stopping distance which can cause a crash and injury. Make sure the floor mat does not interfere with the accelerator or brake pedal.

Use the following guidelines for proper floor mat usage.

- The original equipment floor mats were designed for your vehicle. If the floor mats need replacing, it is recommended that GM certified floor mats be purchased. Non-GM floor mats may not fit properly and may interfere with the accelerator or brake pedal. Always check that the floor mats do not interfere with the pedals.
- Use the floor mat with the correct side up. Do not turn it over.
- Do not place anything on top of the driver side floor mat.
- Use only a single floor mat on the driver side.
- Do not place one floor mat on top of another.

## Technical Data

### Vehicle Data

Capacities and  
Specifications ..... 11-2

## Vehicle Data

### Capacities and Specifications

#### Capacities

Application	Capacities	
	Metric	English
Cooling System	17.1 L	18.1 quarts

## Special Equipment Options

### SEO Standard Options

SEO Standard	
Options - Police Package and Special Service Package .....	15-2
Wiring Provisions for 12-Volt Battery Power Supply .....	15-2
Auxiliary Battery Power Junction Blocks .....	15-9
Equipment Grounding Studs - Rear Compartment .....	15-10
Radio Suppression Grounding Straps .....	15-10

### SEO Available Options

Dual Battery System - SEO 6A6 .....	15-11
Exterior Lamp Emergency Flashing System - SEO 6J7 .....	15-11
Inactive Rear Door Handles - SEO 6B2 .....	15-14
Inactive Rear Door Locks - SEO 6N6 .....	15-14
Inactive Rear Door Windows - SEO 6N5 .....	15-14
Spotlamp - SEO 7X6 .....	15-14
Spotlamps - SEO 7X7 .....	15-14
Wiring Provisions for Emergency Vehicle Roof Light - SEO TRW .....	15-15

Wiring Provisions for Horn/Siren Circuit - SEO 6J4 ...	15-20
Wiring Provisions for Vehicle Grille Lamps, Flasher, and Speaker/Siren - SEO 6J3 .....	15-22
Wiring Provisions Front Speakers - SEO WX7 .....	15-24

### SEO Standard Options

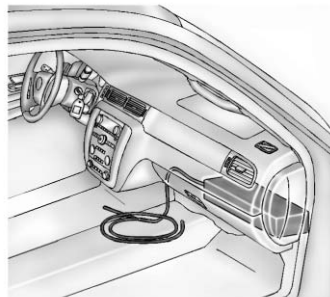
### SEO Standard Options - Police Package and Special Service Package

*Notice:* GM cannot be responsible for any changes made to the vehicle. Have all electrical and body modifications performed by experienced technicians.

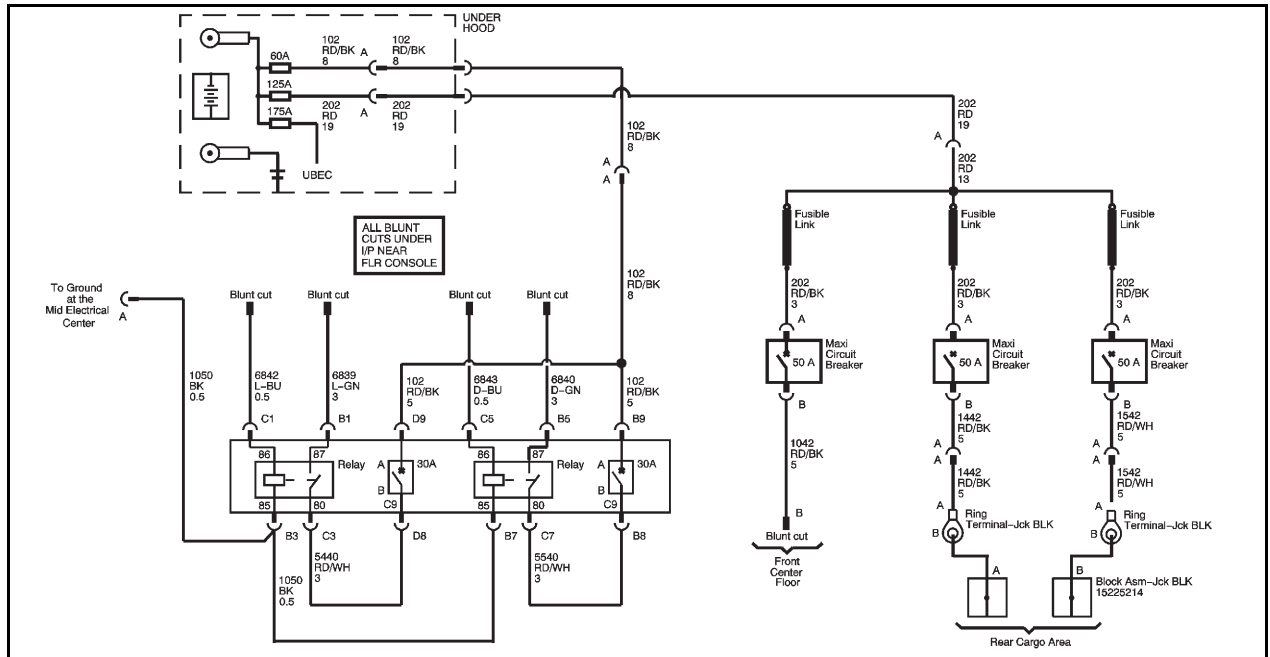
- Be sure that any modified or added wiring will work properly with your vehicle's wiring system.
- See that all wiring is properly protected by fuses, and not causing an overload to connectors and components.

- Do not route wiring in areas of the vehicle where temperatures can be high or where wiring may be cut, pinched or rubbed.
- See that all added wiring is of the same or smaller gauge than the wire it is being attached to for proper fuse protection.
- Be sure that all holes drilled in the body are properly sealed and corrosion protected. See that the vehicle's wiring harnesses, piping and other components have not been displaced or damaged during customer installations of equipment and wiring.

### Wiring Provisions for 12-Volt Battery Power Supply

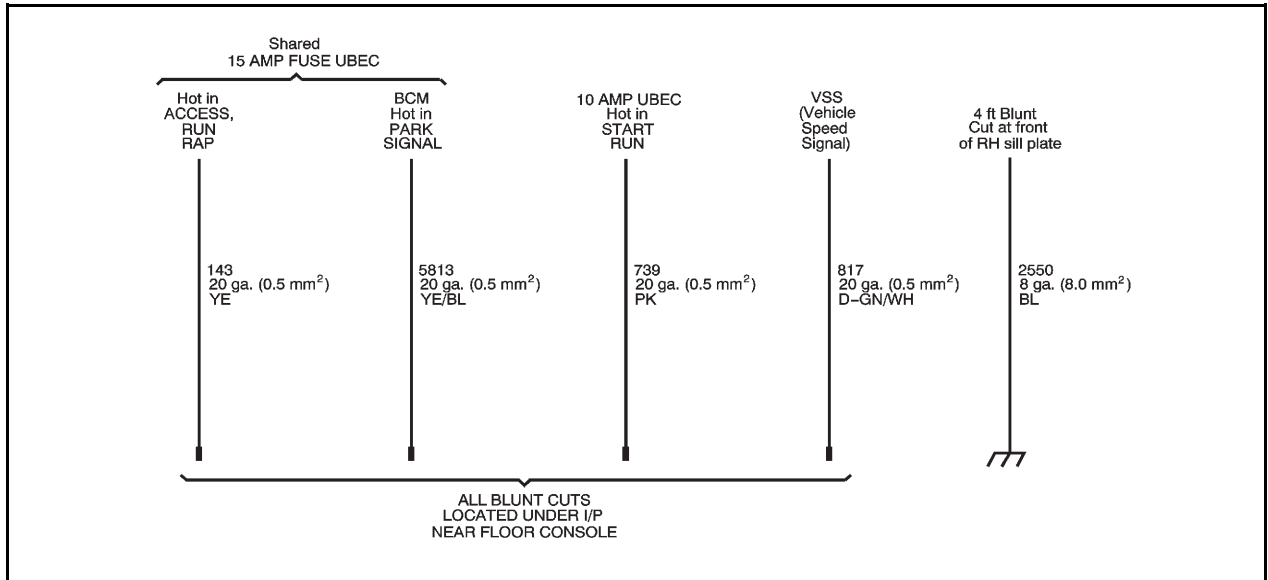






Wiring Provisions - 12-Volt Battery Power

## 15-4 Special Equipment Options



The vehicle is equipped with wiring provisions for a 12-volt battery power supply. Refer to the following information when adding electrical accessories that will use the 12-volt power supply feeds connected to the vehicle's electrical system. The wiring harness is located below the instrument panel near the center of the vehicle. The following information describes the breaker and relay location and provides a wiring diagram to aid in connecting customer equipment.

### Electrical Connections

**Notice:** Before modifying or adding any wiring, be sure that it will work properly with your vehicle's wiring system. Because there are so many modifications that can be made for many different bodies and accessories, GM cannot take responsibility for any changes made. Such changes may not be covered by your GM Warranty. Have the work done by an experienced electrical technician.

All wiring must be properly protected by fuses, etc. and must be routed properly so that it will not be cut, pinched or rubbed by other parts of the vehicle. Do not route wiring in areas where it will be very hot. Be sure not to overload the vehicle's wiring, connectors and components. All added wire must be at least the same size as the wire being attached to for proper fuse protection.

### Installation Instructions – 12-Volt Accessory Power Supply

1. Disconnect the negative (-) battery cable at the battery. The negative (-) battery cable must be disconnected before the positive wiring lead is connected to the power accessory.

## 15-6 Special Equipment Options

---

2. Locate the power supply harnesses, one under the instrument panel near the center of the vehicle, and one within the driver side rear cargo area jack stowage compartment.
3. Prepare the wires that are to be used to connect the power accessory. Do not remove the unused wires. Tape unused wires back in their original position under the instrument panel.
4. Complete the wiring installation of the customer added accessory with additional wire required for the specific electrical accessory power connection. The wire gauge, 3.0 mm<sup>2</sup> (12 gauge), should be the same as the wiring of the installed harness.

5. The ignition must be turned to OFF prior to attaching the cables to the battery, or serious damage to the Body Control Module (BCM) may result.

The windshield wiper switch and the radio must be turned off before attaching cables to the battery.

6. Reconnect the negative (-) battery cable to the battery. Torque the bolt to 5 N•m (3.6 lb ft).
7. Reset the clock time and radio pushbuttons as desired.

The 12-volt battery power is supplied through two underhood mega fuses, one 125 amp and one 60 amp. This underhood power is fed to the breaker/relay center via a harness that passes through the driver side front of the dash, and

routes across the instrument panel to a position forward of the glove box. The breaker/relay center is mounted to the instrument panel structure forward of the glove box. The center includes a plastic bracket, two relays, two 30 amp breakers and three 50 amp mega circuit breakers.

Two 30 amp breakers supply power from the underhood 60 amp mega fuse through the contacts of the control relays to 3.0 mm<sup>2</sup> (12 gauge) blunt cut wires. These two blunt cut leads are part of wire coil under the instrument panel near the center of the vehicle.

Each relay is operated by a 0.5 mm<sup>2</sup> (20 gauge) blunt cut, light or dark blue control lead included in the 122 cm (4 ft) loop of wire coiled under the instrument panel.

Three 50 amp mega circuit breakers, protected by three fusible links, supply power directly from the underhood 125 amp mega fuse through three, 5.0 mm<sup>2</sup> (10 gauge) wires. Two of the wires are routed through the body harness to buss junction blocks in the left rear of the cargo area and secured near the jack and tools. This 122 cm (4 ft) of coiled wires can be accessed by removing the cup holder on the top of the trim panel. The third 5 mm<sup>2</sup> (10 gauge) wire is a blunt cut lead which is part of the 122 cm (4 ft) loop of wire coiled under the instrument panel near the center of the vehicle.

An 8 mm<sup>2</sup> (8 gauge) ground lead is also provided, and it is located under the front passenger sill plate. It can be accessed by removing the sill plate and pulling the loop of wire at the front of the plate. The lead is 122 cm (4 ft) long.

Blunt cut ignition controlled power and signal circuits are also included in the wire coiled under the instrument panel near the center of the vehicle. They include:

- \*A yellow, 0.5 mm<sup>2</sup> (20 gauge) circuit, Hot in ACCESSORY, RUN or RAP (Retained Accessory Power).
- A pink, 0.5 mm<sup>2</sup> (20 gauge) circuit, Hot in START and RUN. (7A maximum load)
- \*A yellow/black, 0.5 mm<sup>2</sup> (20 gauge) transmission park signal. This circuit provides switched power when the transmission is in P (Park) and

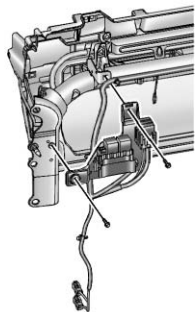
the engine is running. The circuit is at 0 volts when the transmission is in any other position, i.e., R (Reverse), N (Neutral), D (Drive) or M (Manual). Note that the circuit is also at 12 volts with the transmission in P (Park) and the ignition in LOCK/OFF. To avoid the possibility of undesired parasitic electrical load with the ignition in LOCK/OFF it is suggested that the Park/Signal circuit be isolated by routing it through the normally open contact of a customer furnished ignition controlled relay.

- A dark green/white, 0.5 mm<sup>2</sup> (20 gauge) Vehicle Speed Signal (VSS) provides 4,000 pulses per mile.

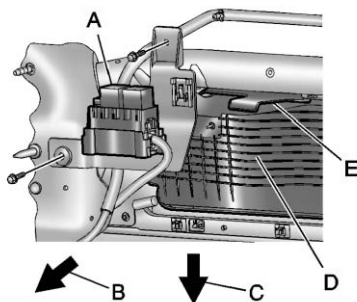
\*These two circuits share a 15 amp fuse. (10 amp combined maximum load)

## 15-8 Special Equipment Options

### Servicing Relays and Fuses



Fuse/Relay Center



Enlarged View of the Fuse Block

- A. Relays and Circuit Breakers
- B. Front of the Vehicle
- C. Floor of the Vehicle
- D. Glove Box
- E. Tab

The following information tells how to access the vehicle's relay and breaker center for checking and replacing breakers.

The breaker and relay center is located behind and above the instrument panel storage compartment. Remove contents from the storage tray. Using the tab at the back of the compartment, drop the tray down gently toward the floor. It will hang from the hinge. The breaker/relay center is located above the right rear corner of the storage compartment. The bracket is attached to the instrument panel structure with two screws.

Replace a 30 amp circuit breaker with GM Part No. 12182117 circuit breaker, or equivalent. Replace a relay with a GM Part No. 12193604 relay, or equivalent. Replace a 50 amp circuit breaker with a GM Part No. 15319848 circuit breaker, or equivalent.

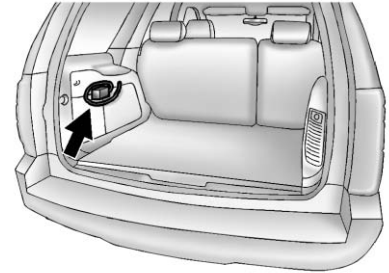
Reinstall the storage tray into the compartment by lifting it into the instrument panel.

## Auxiliary Battery Power Junction Blocks

Two auxiliary power junction blocks are located within the driver side rear cargo area jack stowage compartment. Each junction block is powered directly from the battery through a 50 amp circuit breaker for connection to customer-furnished equipment. The two circuit breakers are located in the breaker/relay panel forward of the instrument panel glove box. A maximum load of 50 amps (600 watts) can be connected to each junction block. The wiring diagram for this circuit is shown as part of the diagram for "Wiring Provisions – 12 Volt Battery Power".

The two junction blocks are connected to coiled 1.5 m (5 ft) branches of the rear body harness and fastened near the jack. Mounting of the junction blocks can be at customer-selected rear cargo area locations permitted by the branch harness length and using customer-furnished mounting hardware.

The junction blocks should not be attached to the interior trim plastic components without appropriate backing hardware to the mounting bolts.



To connect the customer-furnished equipment at the junction blocks, use the following steps:

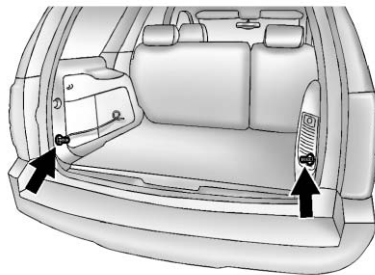
1. Disconnect the negative (-) battery cable.
2. Connect the customer-furnished equipment positive leads to the junction block terminals and tighten to 15 N·m (11 lb ft).

The ignition must be turned off and the vehicle vacated prior to connecting the negative (-) battery cable to the battery.

## 15-10 Special Equipment Options

3. Reconnect the negative (-) battery cable to the battery. Torque the bolt to 5 N•m (3.6 lb ft).
4. Set the time on the clock and radio pushbuttons as needed. See "Introduction" in the Infotainment section of the owner manual for more information.

### Equipment Grounding Studs - Rear Compartment



Your Tahoe Police and Special Service Package has grounding studs located at the lower driver side and passenger side rear compartment liftgate opening for connection to customer electrical equipment. A 1.52 m (5 ft) blunt cut length of #8 awg copper wire is coiled inside the jack storage

compartment to permit grounding of electrical equipment that may be mounted forward in the rear compartment and behind the second row seatback.

### Radio Suppression Grounding Straps

Your Tahoe Police Package and Special Service Package are equipped with additional grounding straps in the following locations:

- Driver side front frame body mount bracket to underbody
- Driver side rear frame body mount bracket to rear underbody
- Passenger side rear frame body mount bracket to rear underbody
- Passenger side center frame body mount bracket to center underbody
- Exhaust pipe hanger rod to rear frame



## **SEO Available Options**

### **Dual Battery System - SEO 6A6**

This vehicle may have a dual battery system. The two batteries are connected so that both supply battery power to the vehicle at the same time — they are connected in parallel. See “Battery” in the owner manual for additional information on batteries.

### **Exterior Lamp Emergency Flashing System - SEO 6J7**

SEO 6J7 provides a high-beam headlamps flashing module, rear lamps flashing and control wire for a customer-furnished switch to turn the module on or off. The flasher control wire is coiled under the center of the instrument panel. This control lead may be combined with the interior wiring leads for SEO 6J3 when that option is ordered with SEO 6J7.

The headlamps flashing module is located below the passenger side front headlamp and forward of the passenger side front wheel. The module is connected to an inline connector in the forward lamp harness. The headlamps flashing

module is activated by the application of 12 volts to a dark green/red wire coiled in the passenger side footwell. When activated, the driver and passenger side high-beam headlamps and the high-beam instrument panel cluster light will flash alternately at 2.4 flashes per second.

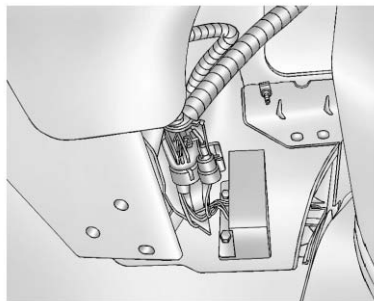
When the headlamps flashing module is turned on, the module sends a signal to the Body Control Module (BCM). The BCM alternately flashes the stop lamps and backup lamps. Depressing the brake pedal will override the stop lamp flashing and placing the transmission in reverse will override the backup lamp flashing.

Activation of the headlamp and rearlamp flashing can be separated. Call Kerr Industries at 905-725-6561.

## 15-12 Special Equipment Options

---

During daylight conditions, the Daytime Running Lamps (DRL) are automatically turned off whenever the headlamps flasher module is activated. During nighttime conditions, the low-beam headlamps turn on automatically while the high-beam headlamps flash. Turning on the high-beam headlamps manually with the turn signal/multifunction lever will override the flashing module and the high-beam headlamps will operate continuously.



**Headlamps Flasher  
Module — SEO 6J7**

A 20 amp fuse protects the flasher module circuit. This fuse is located in the underhood fuse block in the engine compartment on the driver side of the vehicle and is labelled HEADLAMP WASHER. See “Engine Compartment Fuse Block” in the Vehicle Care section of the Tahoe owner manual for more information.

When it is dark outside, the taillamps will turn on automatically. The Center High-Mounted Stoplamp (CHMSL) will not flash and will operate only when the regular brake pedal is pressed.

C122

GROUND	250	18 ga. (0.8 mm <sup>2</sup> )	BK	A	<				
LH HDLP HI*	711	18 ga. (0.8 mm <sup>2</sup> )	D-GN/WH	B	<<	B 711	18 ga. (0.8 mm <sup>2</sup> )	D-GN/WH	Left High Beam Headlamp
FLASHER POWER (From Headlamp Wash Fuse)*	3640	18 ga. (0.8 mm <sup>2</sup> )	RD/WH	C	<				
RH HDLP HI*	311	18 ga. (0.8 mm <sup>2</sup> )	L-GN/BK	D	<<	D 311	18 ga. (0.8 mm <sup>2</sup> )	L-GN/BK	Right High Beam Headlamp
CONTROL WIRE (From Switch)	6820	18 ga. (0.8 mm <sup>2</sup> )	D-GN/RD	E	<				
SIGNAL TO BCM	6841	18 ga. (0.8 mm <sup>2</sup> )	BU/YE	F	<				

\*FUSE, FUSE BLOCK, UNDERHOOD

Forward Lamp Harness In-Line Connector for use with Headlamps Flasher Module, Option 6J7

## 15-14 Special Equipment Options

### Inactive Rear Door Handles - SEO 6B2

Your vehicle may be equipped with inactive door handles. The rear doors can only be opened from the outside.

### Inactive Rear Door Locks - SEO 6N6

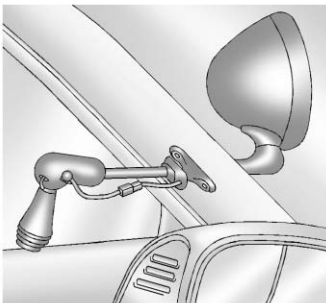
Your vehicle may be equipped with inactive rear door locks. The rear door locks do not lock or unlock at the door. Only the driver power door lock switch locks or unlocks the rear door locks.

### Inactive Rear Door Windows - SEO 6N5

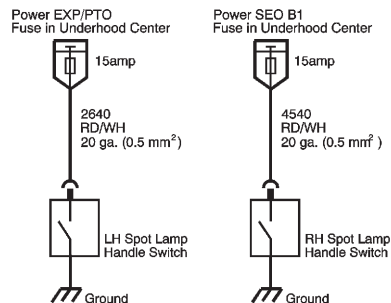
Your vehicle may be equipped with inactive rear door window control switches. Only the driver power window switches can operate the rear windows.

### Spotlamp - SEO 7X6

#### Spotlamp – Windshield Pillar Mounted



A Unity Series 330, high intensity, 100 watt halogen (H3 bulb) 15 cm (six inch) spotlamp is mounted in the left windshield pillar. The lamp is protected by a 15 amp fuse located in the underhood electrical center. See the service manual for lamp replacement procedures.



#### Spotlamp Harness – SEO 7X6, SEO 7X7

### Spotlamps - SEO 7X7

SEO 7X7 includes a driver side and a passenger side spotlamp located in the windshield pillars. Each spotlamp is protected by a separate 15 amp fuse located in the underhood electrical center.

For spotlamp bulb replacement procedures, see the appropriate section of the service manual.

## Wiring Provisions for Emergency Vehicle Roof Light - SEO TRW

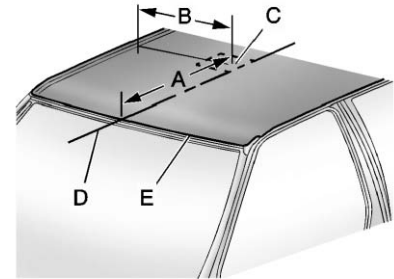
Battery power is supplied through a 30 amp fuse to a wiring harness located in the roof. Power is controlled with a switch located in the overhead console. The customer or vehicle upfitter must complete the installation to an added accessory such as an emergency beacon lamp.

Maximum rated electrical load is 21 amps (250 watts). The added electrical requirements must not exceed 21 amps (250 watts).

Running the accessory for long periods of time with the engine off may run the battery down.

### Installation Instructions – Emergency Vehicle Roof Panel Lamp

Wiring to the accessory can be done by either directly connecting the wire in the roof to the accessory (Option A) or by using Wiring Harness Package part number 12150250 obtained from GM Service Parts (Option B).



- A. 645 mm (25.39 inches)
  - B. 440 mm (17.32 inches)
  - C. 100 mm (3.94 inches) square
  - D. Roof Centerline
  - E. Roof Edge
1. Disconnect the negative (-) battery cable at the battery.
  2. Make the electrical connections using either option A or option B.

## 15-16 Special Equipment Options

---

**Notice:** Pulling the wiring harness through a panel hole that has sharp edges may cause damage to the wire and/or wire insulation. Remove sharp edges from the panel hole before pulling the wire through it.

### Option A: Roof Wires Directly to Accessory

1. Drill a 10 to 13 mm (3/8 inch to 1/2 inch) hole in the outer roof panel in the area shown in the illustration. The hole should only go through the outer panel. Remove all sharp edges from the drilled hole.
2. Remove the inside overhead console access panel/lamp lenses.
3. The accessory harness is coil tied to the passenger side of the vehicle at the console inner bracket.
4. Cut the tape holding the harness coil.
5. As one person watches the roof hole from the outside for the end of the harness, a second person from the inside of the vehicle should snake the harness toward the hole.
6. Pull out the wiring harness being careful to avoid scraping the insulation on the edge of the hole.
7. Extend the wiring harness to the accessory.
8. Connect the dark green wire to the accessory hot terminal.
9. Connect the black wire to the accessory ground terminal.
10. Cover the hole in the roof with a durable sealant such as silicone rubber sealer.
11. Reinstall the overhead console access panel/lamp lenses.

**Option B: Use Wiring Harness Package 12150250. Obtain from GM Service Parts through the GM Dealership**

1. Drill a 32 mm (1.25 inch) hole in the outer roof panel in the area shown in the illustration. The hole should only go through the outer panel. Remove all sharp edges from the drilled hole.
2. Remove the inside overhead console access panel/lamp lenses.
3. The accessory harness is coil tied to the passenger side of the vehicle at the console inner bracket.
4. Cut the tape holding the harness coil.
5. As one person watches the roof hole from the outside for the end of the harness, a second person from the inside of the vehicle should snake the harness toward the hole.
6. Pull out the wiring harness being careful to avoid scraping the insulation on the edge of the hole.
7. Cut the wire to length. Install terminals to wire ends and insert into the connector. The dark green wire goes to cavity A and the black wire in cavity B. Push in the secondary lock to retain the wires.
8. Attach the harness assembly from the package to the accessory. Cover with the supplied conduit for added protection. Connect the orange wire to the accessory hot terminal and the black wire to the ground.
9. Complete the connection from the roof harness to the extension harness. Cover the mated connector with the supplied foam. Push the foam covered connection and excess wire through the roof panel hole.
10. Reinstall the overhead console access panel/lamp lenses.

## 15-18 Special Equipment Options

### Restoring Power



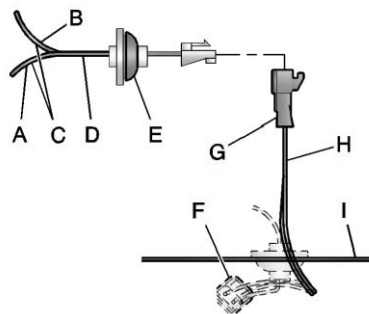
The auxiliary lamp switch is located on the overhead console.

This switch includes wiring provisions for a dealer or a qualified service center to install an auxiliary roof lamp. When the wiring is connected to an auxiliary roof mounted lamp, pressing the bottom of the switch will activate the lamp and illuminate an indicator light at the bottom of the switch. Pressing

the top of the switch again will turn off the roof mounted lamp and indicator.

1. Be sure that the auxiliary lamp switch is off.
2. Vacate the vehicle and reconnect the battery cable.
3. Turn the auxiliary lamp switch on. The accessory should now be working. If it is not working, check the connections.
4. After ensuring that the accessory is working properly, install the grommet in the hole. Seal with silicone sealer to prevent water leakage.

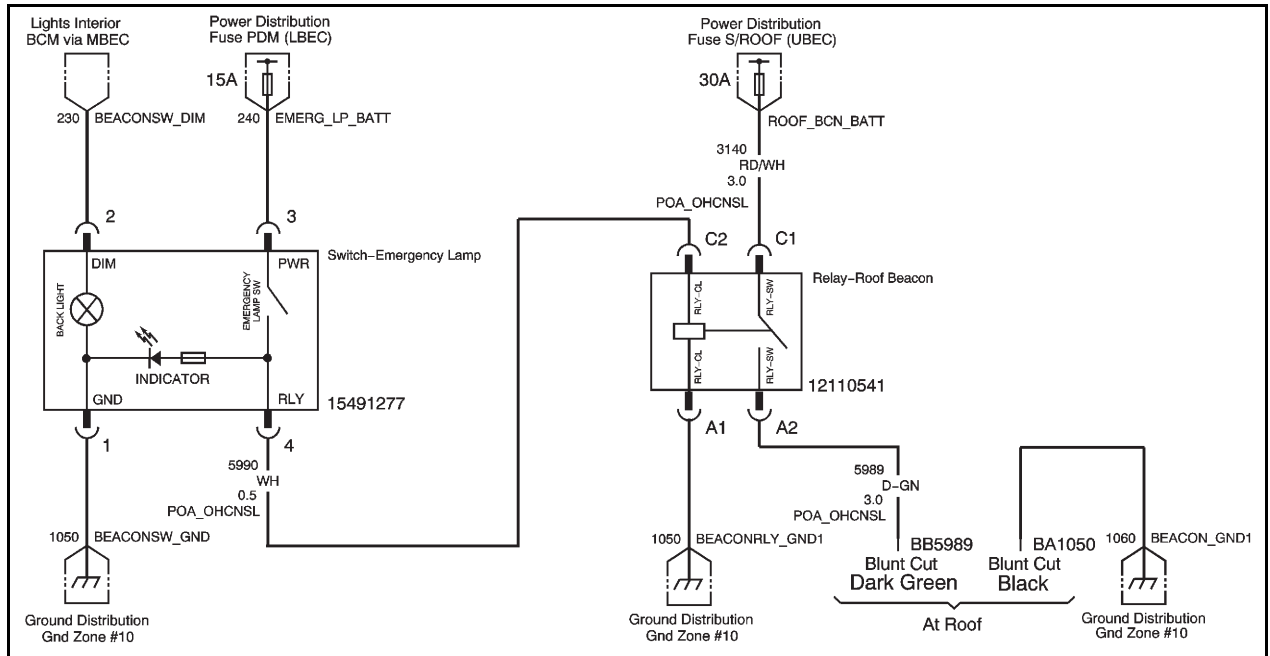
**Notice: Overloading the vehicle's electrical system may damage your vehicle's accessories. Do not overload the vehicle's system by having unnecessary accessories on at the same time.**



### Option B

- A. Black Wire
- B. Orange Wire
- C. To Roof Mounted Lamp
- D. Harness Assembly
- E. Grommet (Roof)
- F. Foam Insulator (Adhesive-Backed)
- G. Harness Connector, Secondary Lock and Terminal
- H. Dark Green and Black Wires
- I. Vehicle Outer Roof Panel





Wiring Diagram for SEO TRW

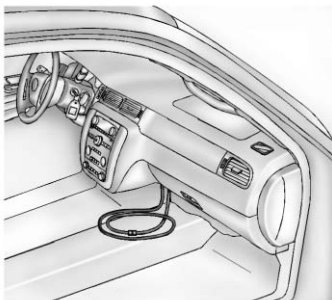
## 15-20 Special Equipment Options

---

### Maintenance

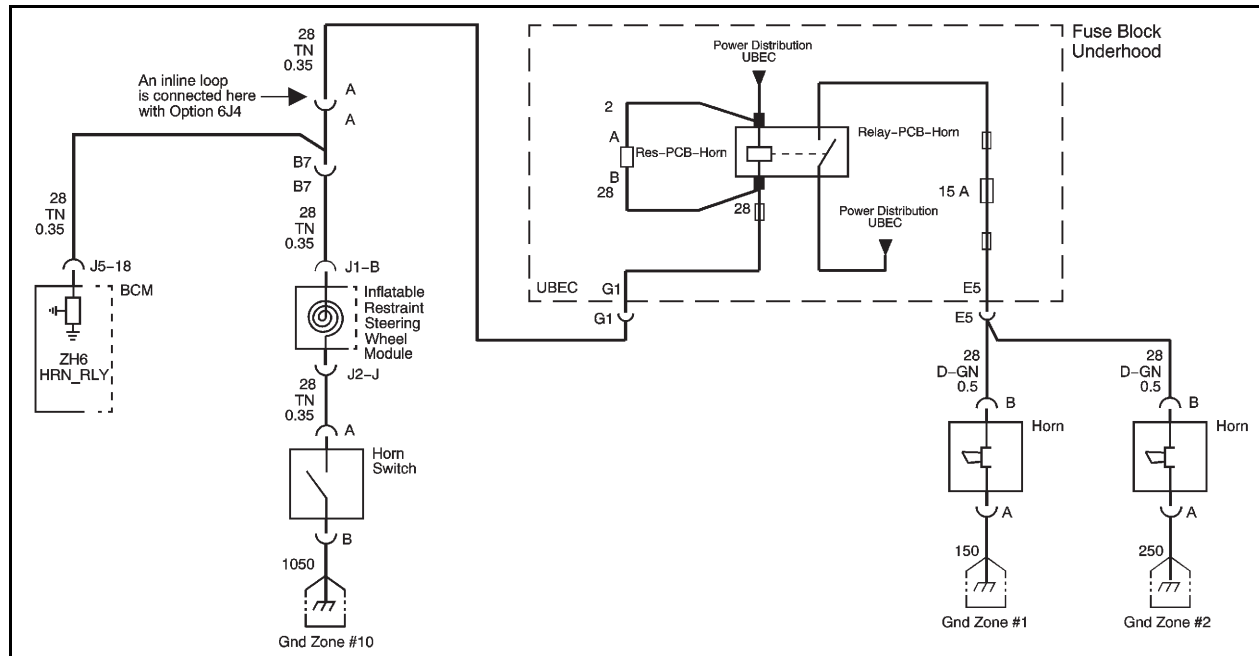
The emergency roof light circuit is fed from the fuse labeled Sunroof located in the underhood electrical center. Always replace the fuse with a 30 amp mini-fuse.

### Wiring Provisions for Horn/Siren Circuit - SEO 6J4



This provision permits customer connection of a switch to select either horn or siren operation when the horn pad is pressed.

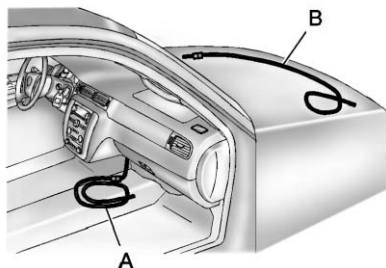
A 0.35 mm<sup>2</sup> (22 gauge) wire is connected to an in-line connector in the horn circuit of the instrument panel harness under the instrument panel. The end of this harness extension is in a 1.5 m (5 ft) loop of wire coiled under the center of the instrument panel.



Wiring Diagram for SEO 6J4 Inline Connector

## 15-22 Special Equipment Options

### Wiring Provisions for Vehicle Grille Lamps, Flasher, and Speaker/ Siren - SEO 6J3



#### Alternating Signal Flasher

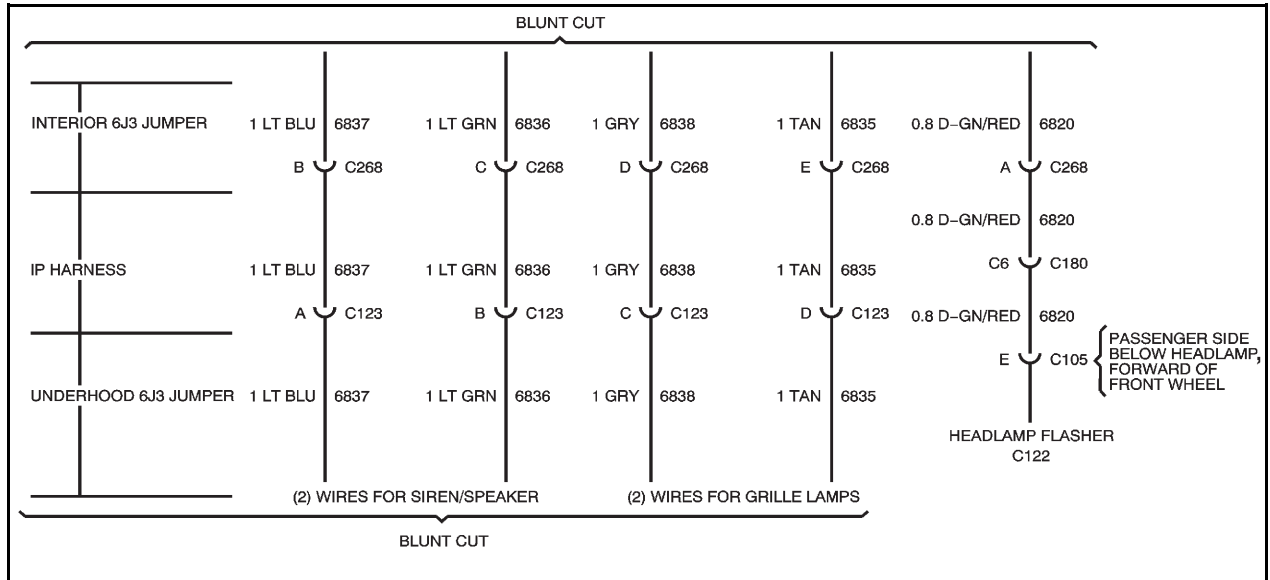
- A. Blunt cut ends for the Customer-Furnished Grille Lamps and Customer-Furnished Siren/Speaker

- B. Control Wires from In-Line Connector in Forward Lamp Harness for Customer-Furnished Grille Lamps and Speaker

The SEO 6J3 wiring provision option consists of a 1.5 m (5 ft) wiring harness coiled underneath the instrument panel on the passenger side. The wiring circuits are routed from underneath the instrument panel to a 30 cm (1 ft) coil secured in the area behind the grille. There are four 1.0 mm<sup>2</sup> (16 gauge) wires for connecting to the grille lights (GRY, TAN) and siren speaker (LT BU, LT GN).

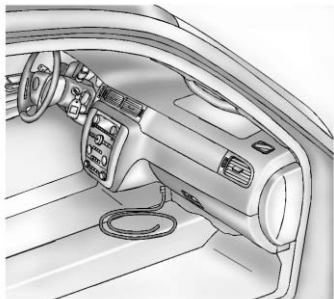
The SEO 6J3 wiring provision also includes one 0.8 mm<sup>2</sup> (18 gauge) control wire for the SEO 6J7 exterior lamps emergency flashing system.

When option SEO 6J7 is installed without option SEO 6J3, only the dark green/red control wire is provided for connection to customer-furnished 12-volt switching to turn the emergency flashing system on or off.



Wiring Diagram for SEO 6J3 and SEO 6J7

### Wiring Provisions Front Speakers - SEO WX7



About 165 cm (65 inches) of auxiliary speaker wire is run from the instrument panel radio connector and is coiled under the center of the instrument panel. The wiring permits the connection of front door speakers to customer-installed communication equipment.

Radio outputs from the front speakers are sent to the rear speakers to maintain the required open door/key in the ignition reminder chime.

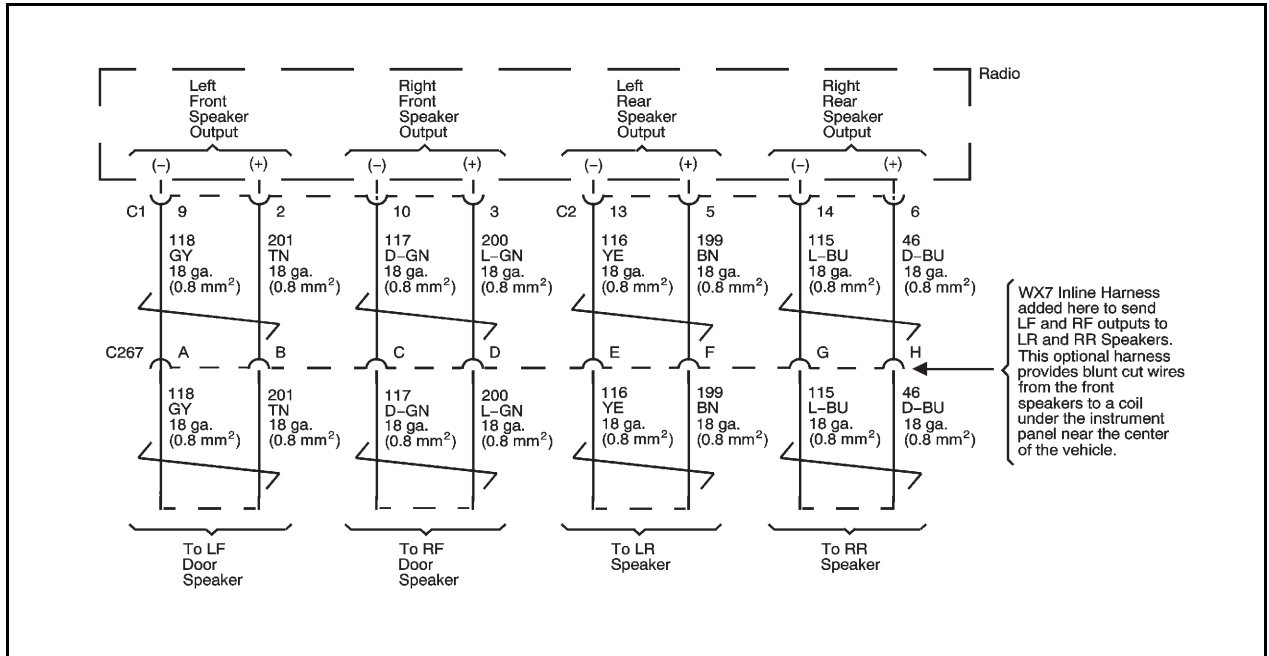
#### Electrical Connections

1. Disconnect the negative (-) battery cable at the battery.
2. Remove the tape from the wire coiled under the instrument panel to uncoil it.
3. Using proper electrical connectors, connect the wires for the left front audio output of the customer-installed communication device. The left front positive wire is tan and the left front negative wire is gray.
4. Using proper electrical connectors, connect the wires for the right front audio output of the customer-installed communication device. The right front positive wire is light green

and the right front negative wire is dark green. The electrical impedance of each speaker installed is 10 ohms.

**Notice: Overloading the vehicle's electrical system may damage your vehicle's accessories. Do not overload the vehicle's system by having unnecessary accessories on at the same time.**

5. The ignition must be turned off and the vehicle must be vacated prior to attaching the cable to the battery. Connect the negative (-) battery cable to the battery and tighten the bolt to 5 N·m (3.7 lb ft).
6. Set the time on the clock and radio pushbuttons as needed. See "Introduction" in the Infotainment section of the owner manual for more information.



Wiring Diagram for SEO WX7 Inline Connector





**A**

Airbags  
 Deployment Diagrams ..... 2-4  
 Airbags, Questions and  
 Answers About Airbags and  
 Specialty Law Enforcement  
 Vehicles ..... 2-1  
 Auxiliary Battery Power  
 Junction Blocks, Available  
 Option ..... 15-9

**B**

Battery  
 Dual System - SEO 6Y6 ..... 15-11  
 Power Junction Blocks  
 Auxiliary, Available  
 Option ..... 15-9  
 Wiring Provisions for  
 12-Volt Power Supply ..... 15-2

**C**

Canadian Vehicle Owners ..... ii  
 Capacities and  
 Specifications ..... 11-2  
 Circuit  
 Wiring Provisions for  
 Horn/Siren - SEO 6J4 ..... 15-20  
 Cluster, IP ..... 4-2  
 Customer Installed  
 Equipment, Notices ..... 2-3

**D**

Deployment Diagrams ..... 2-4  
 Door Locks  
 Inactive Rear - SEO 6N6 ... 15-14  
 Driver Information  
 Center (DIC) ..... 4-3  
 Driving  
 Vehicle Load Limits ..... 8-1  
 Dual Battery  
 System - SEO 6Y6 ..... 15-11

**E**

Equipment Grounding  
 Studs - Rear  
 Compartment ..... 15-10  
 Equipment Grounding  
 Studs, Rear  
 Compartment ..... 15-10  
 Exterior Lamp Controls ..... 5-1  
 Exterior Lamp  
 Emergency Flashing  
 System - SEO 6J7 ..... 15-11

**F**

Fast Idle System ..... 8-5  
 Flasher, Wiring  
 Provisions - SEO 6J3 ..... 15-22  
 Floor Mats ..... 9-2

**G**

Gauges	
Odometer .....	4-3
Speedometer .....	4-3
Groundig Studs, Rear	
Compartment .....	15-10
Grounding Straps	
Radio Suppression .....	15-10

**H**

Horn/Siren, Wiring	
Provisions - SEO 6J4 .....	15-20

**I**

Idle System	
Fast .....	8-5
Inactive Rear Door	
Handles - SEO 6B2 .....	15-14
Inactive Rear Door	
Locks - SEO 6N6 .....	15-14
Inactive Rear Door	
Windows - SEO 6N5 .....	15-14
Instrument Cluster .....	4-2
Introduction .....	ii

**K**

Keys	
Single Key Random Code	
System .....	1-1

**L**

Lamps	
Exterior Controls .....	5-1
Exterior Emergency	
Flashing	
System - SEO 6J7 .....	15-11
Vehicle Grille Wiring	
Provisions - SEO 6J3 .....	15-22

**Lights**

Wiring Provisions	
for Emergency	
Vehicle - SEO TRW .....	15-15

**M**

Monitor System, Tire	
Pressure .....	9-2

**N**

Notices for Customer	
Installed Equipment .....	2-3

**O**

Odometer .....	4-3
----------------	-----

**P**

Police Package and Special	
Service Package, SEO	
Standard Options .....	15-2

**Q**

Questions and Answers	
About Airbags and	
Specialty Law Enforcement	
Vehicles .....	2-1

**R**

Radio Suppression  
 Grounding Straps ..... 15-10

Rear Compartment  
 Equipment Grounding  
 Studs ..... 15-10

Rear Door Handles  
 Inactive - SEO 6B2 ..... 15-14

**S**

Safety Belts  
 Questions and Answers  
 About Airbags and  
 Specialty Law  
 Enforcement Vehicles ..... 2-1

SEO Standard Options  
 Police Package and  
 Special Service Package .... 15-2

Speaker/Siren, Wiring  
 Provisions - SEO 6J3 ..... 15-22

Speakers  
 Wiring Provisions,  
 Front - SEO WX7 ..... 15-24

Special Equipment Options  
 Inactive Rear Door  
 Handles - SEO 6B2 ..... 15-14

Specific Cylinder Unit for  
 Single Key - Random Code  
 System ..... 1-1

Specifications and  
 Capacities ..... 11-2

Speedometer ..... 4-3

Spotlamp  
 SEO 7X6 ..... 15-14

Spotlamps  
 SEO 7X7, Available  
 Option ..... 15-14

StabiliTrak® System ..... 8-5

Supplement  
 Using ..... iii

**T**

Tires  
 Pressure Monitor System ..... 9-2

Towing  
 Trailer ..... 8-6

Trailer Towing ..... 8-6

**U**

Using this Supplement ..... iii

**V**

Vehicle  
 Canadian Owners ..... ii

Load Limits ..... 8-1

**W**

Windows

Inactive Rear

Door - SEO 6N5 ..... 15-14

Wiring Provisions for 12-Volt

Battery Power Supply ..... 15-2

Wiring Provisions for

Emergency Vehicle Roof

Light - SEO TRW ..... 15-15

Wiring Provisions

for Front

Speakers - SEO WX7 ..... 15-24

Wiring Provisions

for Horn/Siren

Circuit - SEO 6J4 ..... 15-20

Wiring Provisions for

Vehicle Grille Lamps,

Flasher, and Speaker/

Siren - SEO 6J3 ..... 15-22